

## Kenwood CK408-1

### Electric Twin cavity range cooker in black glass – 90 cm

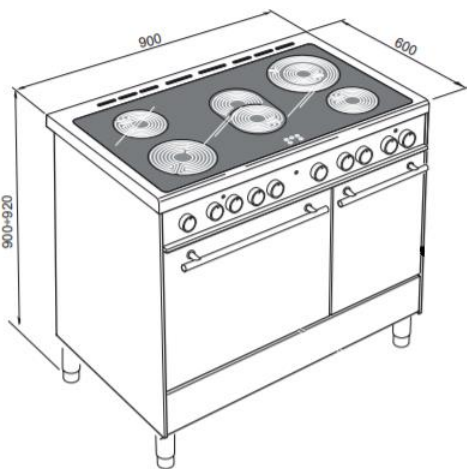


#### COOKTOP

- Vitroc ceramic cooktop with stainless steel frame
- 5 vitroc ceramic cooking hi-light zones
- One central hi-light double zone
- 12 power levels

#### FAN MAIN OVEN – Drop down door

- 4 functions fan electric oven
- Electric grill – fan cooking mode – fan circular element – cooling fan
- Minute minder 120'
- Interior light
- Cooling fan system
- «Easy to clean» special enamel coating
- Double glass door with removable inner door glass for cleaning
- Usable volume: 70 litres – B Energy rating
- ACCESSORIES: Grill pan and trivet, Flat Shelf



#### SMALL OVEN – Drop down door

- Conventional electric oven (three functions)
- Electric grill
- Interior light
- Cooling fan system
- Double glass door with removable inner door glass for cleaning
- «Easy to clean» special enamel coating
- Usable volume: 45 litres – B Energy rating
- ACCESSORIES: Grill pan and trivet and two wire handles, Flat Shelf

#### Main Oven



#### Small Oven



Storage compartment with drop down door